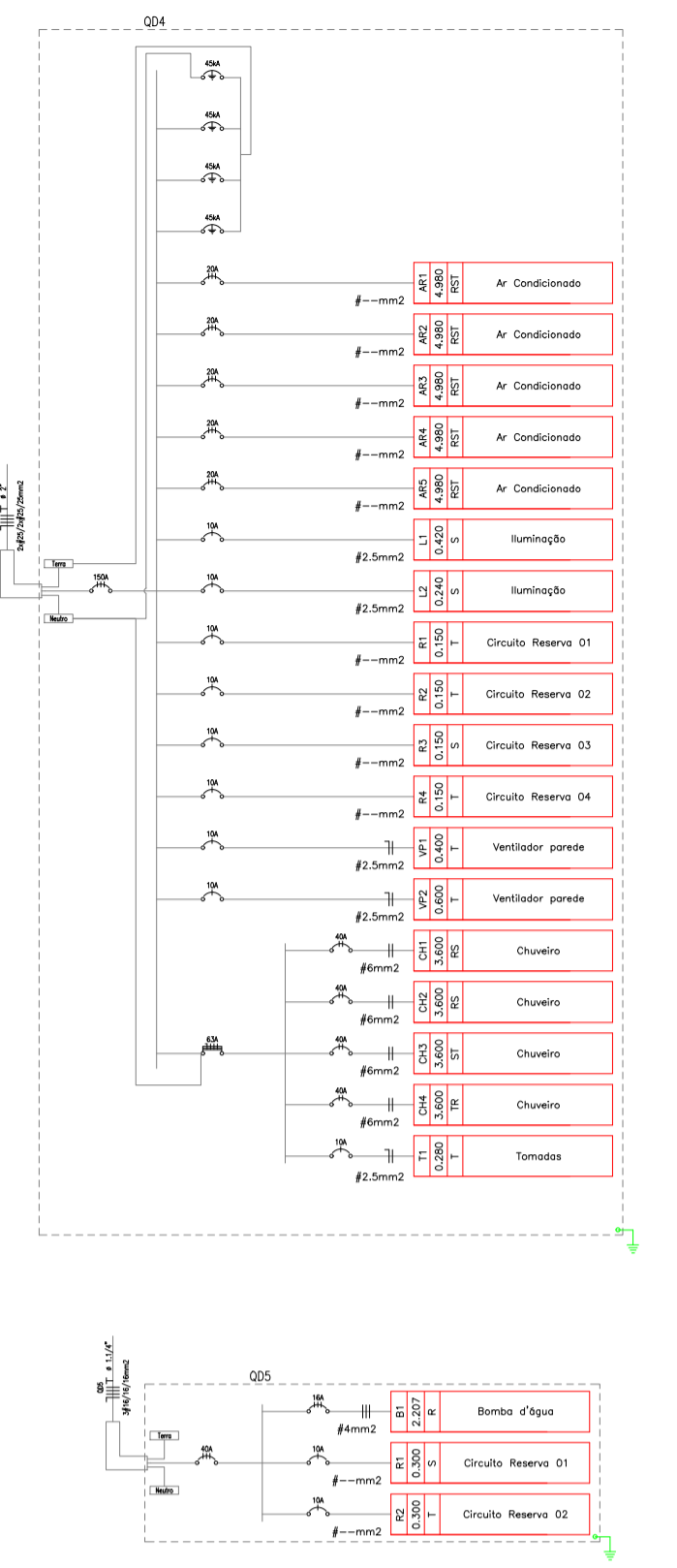


### LEGENDA DA FIAÇÃO

2x 20mm/100mm	3x 1/4"
2x 20mm/100mm	3x 1/4"
2x 20mm/100mm	3x 1/4"
2x 20mm/100mm	3x 1/4"
2x 20mm/100mm	3x 1/4"
2x 20mm/100mm	3x 1/4"
2x 20mm/100mm	3x 1/4"
2x 20mm/100mm	3x 1/4"
2x 20mm/100mm	3x 1/4"
2x 20mm/100mm	3x 1/4"
2x 20mm/100mm	3x 1/4"
2x 20mm/100mm	3x 1/4"
2x 20mm/100mm	3x 1/4"
2x 20mm/100mm	3x 1/4"
2x 20mm/100mm	3x 1/4"
2x 20mm/100mm	3x 1/4"
2x 20mm/100mm	3x 1/4"
2x 20mm/100mm	3x 1/4"
2x 20mm/100mm	3x 1/4"
2x 20mm/100mm	3x 1/4"

### LEGENDA

100mm/100mm	100mm/100mm	100mm/100mm	100mm/100mm	100mm/100mm	100mm/100mm
100mm/100mm	100mm/100mm	100mm/100mm	100mm/100mm	100mm/100mm	100mm/100mm
100mm/100mm	100mm/100mm	100mm/100mm	100mm/100mm	100mm/100mm	100mm/100mm
100mm/100mm	100mm/100mm	100mm/100mm	100mm/100mm	100mm/100mm	100mm/100mm



### Quadro de Cargas

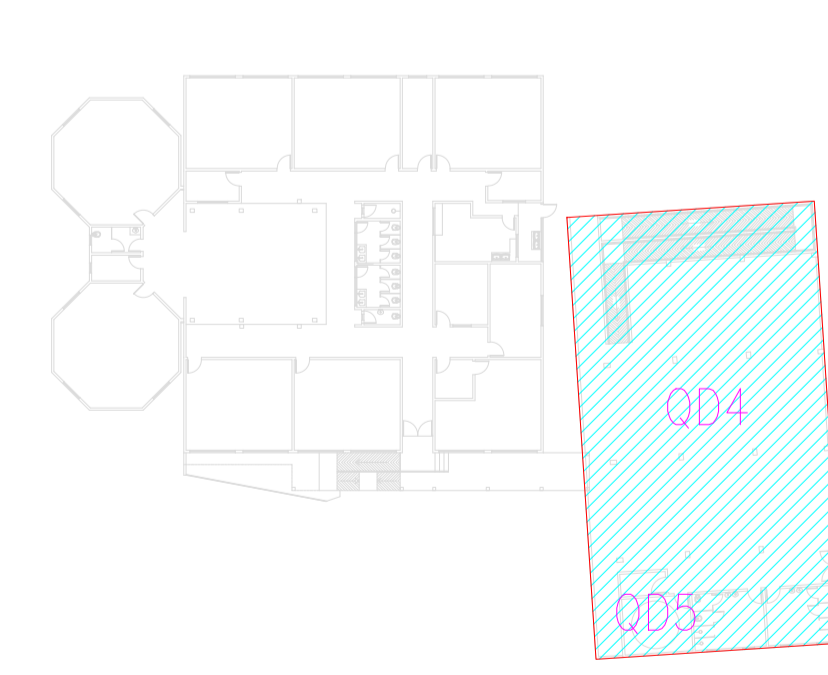
#### QD4

Circ.	Descrição	Iluminação	Tomadas	Qd.04	Ar	Carat.	Qd.04	Tomadas	Pat.	Pot.	Pat.	Fase	Fase	Fase	Demanda	Fases	Tensão	Corr.	Prot.	Cond.	Ompm.	O.T.
									W	VA	R	S	T	(W)	R	S	V	A	A	mm²	(m)	(W)
AR1	Ar Condicionado	40W	200W	300W	7500W	4980.0	0.85	5858.8	1952.9	1952.9	100%	RST	220	15.42	3P-20A	0	---	---	---	---	---	---
AR2	Ar Condicionado					4980.0	0.85	5858.8	1952.9	1952.9	100%	RST	220	15.42	3P-20A	0	---	---	---	---	---	---
AR3	Ar Condicionado					4980.0	0.85	5858.8	1952.9	1952.9	100%	RST	220	15.42	3P-20A	0	---	---	---	---	---	---
AR4	Ar Condicionado					4980.0	0.85	5858.8	1952.9	1952.9	100%	RST	220	15.42	3P-20A	0	---	---	---	---	---	---
AR5	Ar Condicionado					4980.0	0.85	5858.8	1952.9	1952.9	100%	RST	220	15.42	3P-20A	0	---	---	---	---	---	---
CH1	Chuveiro					7500.0	1.00	7500.0	3750.0	3750.0	0.0	48%	RS	220	34.10	3P-40A	6	14.4	0.64	---	---	---
CH2	Chuveiro					7500.0	1.00	7500.0	3750.0	3750.0	0.0	48%	RS	220	34.10	3P-40A	6	14.4	0.64	---	---	---
CH3	Chuveiro					7500.0	1.00	7500.0	3750.0	3750.0	0.0	48%	ST	220	34.10	3P-40A	6	24.05	1.06	---	---	---
CH4	Chuveiro					7500.0	1.00	7500.0	3750.0	3750.0	0.0	48%	TR	220	34.10	3P-40A	6	24.05	1.06	---	---	---
L1	Iluminação	21				840.0	0.90	933.3	0.0	933.3	0.0	50%	S	127	3.67	1P-10A	2.5	48.1	1.98	---	---	---
L2	Iluminação	12				480.0	0.90	533.3	0.0	533.3	0.0	50%	T	127	2.10	1P-10A	2.5	33.35	0.79	---	---	---
R1	Circuito Reserva 01		1			300.0	0.80	375.0	0.0	375.0	0.0	50%	T	127	2.95	1P-10A	0	---	---	---	---	---
R2	Circuito Reserva 02		1			300.0	0.80	375.0	0.0	375.0	0.0	50%	T	127	2.95	1P-10A	0	---	---	---	---	---
R3	Circuito Reserva 03		1			300.0	0.80	375.0	0.0	375.0	0.0	50%	T	127	2.95	1P-10A	0	---	---	---	---	---
R4	Circuito Reserva 04		1			300.0	0.80	375.0	0.0	375.0	0.0	50%	T	127	2.95	1P-10A	0	---	---	---	---	---
T1	Tomadas			7		560.0	0.80	700.0	0.0	700.0	0.0	50%	T	127	2.76	1P-10A	2.5	21.14	0.65	---	---	---
VP1	Ventilador parede			2		400.0	0.80	500.0	0.0	500.0	100%	T	127	3.94	1P-10A	2.5	12.52	0.55	---	---	---	
VP2	Ventilador parede			3		600.0	0.80	750.0	0.0	750.0	100%	T	127	5.91	1P-10A	2.5	24.91	1.65	---	---	---	
Total		33	5	4		47086.0	0.88	47829.3	22196.2	23498.5	22048.5	100%	RST	220	132.40	3P-50A	24.25	---	---	---	---	---
Alimnt. C=7,07m Q1=2K						43786.0	0.88	47829.3	22196.2	23498.5	22048.5	100%	RST	220	132.40	3P-50A	24.25	---	---	---	---	---

### Quadro de Cargas

#### QD5

Circ.	Descrição	Tomadas	Pat.	Pot.	Pat.	Fase	Fase	Fase	Demanda	Fases	Tensão	Corr.	Prot.	Cond.	Ompm.	O.T.	
			W	VA	R	S	T	(W)	R	S	V	A	A	mm²	(m)	(W)	
B1	Bomba d'água	1	2208.5	0.79	3152.1	1050.7	1050.7	100%	RST	220	8.0	3P-16A	4	4.2	0.73	---	
R1	Circuito Reserva 01	1	300.0	0.80	375.0	0.0	375.0	0.0	375.0	50%	T	127	2.95	1P-10A	0	---	---
R2	Circuito Reserva 02	1	300.0	0.80	375.0	0.0	375.0	0.0	375.0	50%	T	127	2.95	1P-10A	0	---	---
Total		2	2808.5	0.90	3902.1	1050.7	1425.7	1425.7	100%	RST	220	9.30	3P-16A	16	---	---	
Alimnt. C=7,07m Q1=2K			2508.5	0.71	3527.1	1050.7	1425.7	1425.7	100%	RST	220	9.30	3P-16A	16	---	---	



DIVISÃO DOS QUADROS - PARTE 3

0	EMISSÃO ORIGINAL	17/10/2022	FABIANO	FABIANO
REV.	DESCRIÇÃO	DATA	EXEC.	APROV.
PROPRIETÁRIO:	PREFEITURA MUNICIPAL DE COLATINA			
IDENTIFICAÇÃO:	PROJETO ELÉTRICO - EMEF VIRGINIO CALMON	FECHA:	03/08	SS ANTERIOR N°: ---
DESENHO:	FABIANO PIRCHINER PIMENTEL FABIANO PIRCHINER PIMENTEL CBEA-ENFEREIRO	CONTEÚDO:	PLANTA BAIXA, QUADRO DE CARGAS, DIAGRAMA UNIFILAR E LEGENDA DOS QD4 E QD5.	
DATA:	17/10/2022	ESCALA:	INDICADA	